

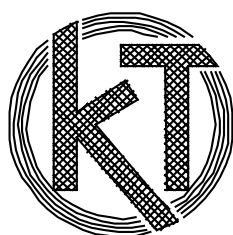
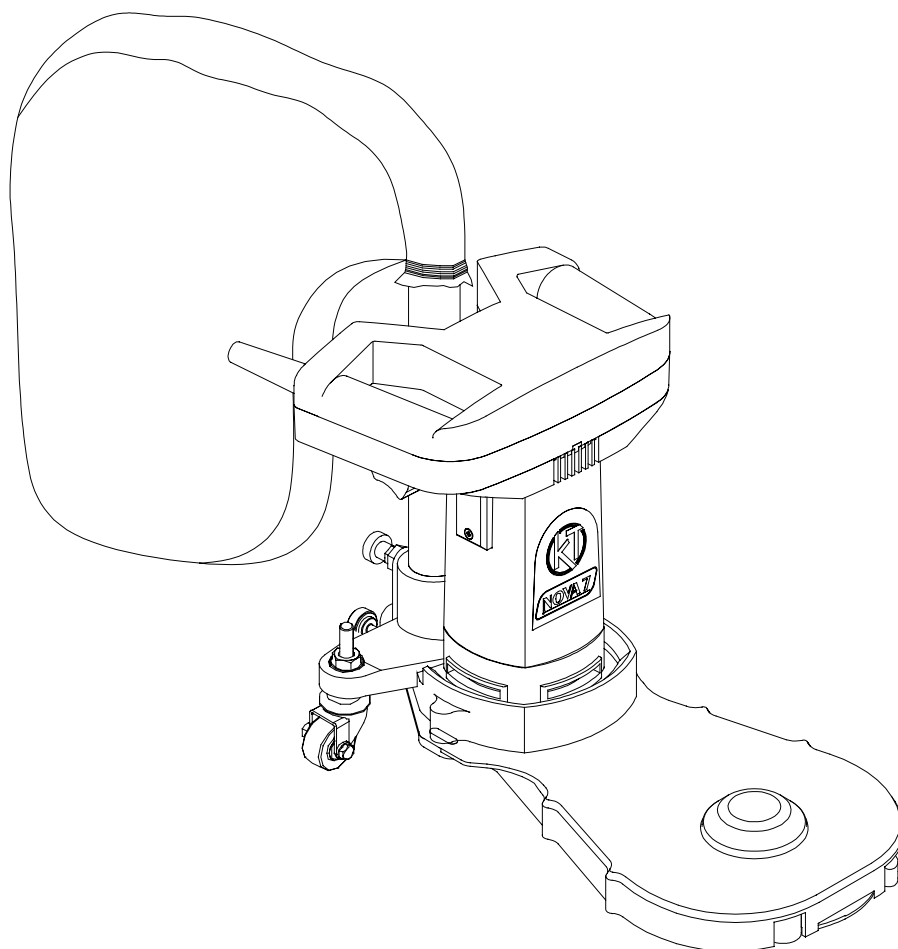


USE AND MAINTENANCE HANDBOOK

This handbook contains important regarding the safe use and operation of this machine. Failure to read this handbook before first time use, adjustment or maintenance may result in damage to the machine and/or personal injury. The user should be familiar with the machine and its operation before using it. Keep this handbook for future reference. Should you need other handbook, write to:

Künzle & Tasin S.p.A.

Marketing and production plant: Via Cajkovskij, 14 20092 Cinisello Balsamo - Milano - Italia



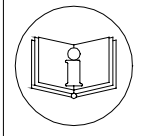
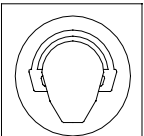
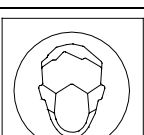
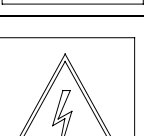
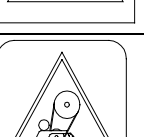
KÜNZLE & TASIN
Smerigliatrici e levigatrici dal 1946

DIREZIONE COMMERCIALE E STABILIMENTO
Via CAJKOVSKIJ,14 - 20092 CINISELLO BALSAMO - MILANO - ITALIA
TEL. 02 / 66040930 r.a. - FAX 02 / 66013445

CONTENTS

LISTED SIMBOLS	3
STORAGE.....	4
TRANSPORTING AND HANDLING THE MACHINE.....	4
BEFORE STARTING	6
<i>ELECTRICAL CONNECTIONS</i>	<i>6</i>
<i>MAIN LEADS, EXTENSIONS AND PLUGS.....</i>	<i>6</i>
<i>INSTRUCTION FOR REMOVING THE SAWDUST PRODUCED DURING</i>	
<i>WORK.....</i>	<i>7</i>
USER SAFETY RACCOMENDATIONS.....	7
<i>PERSONAL SAFETY</i>	<i>7</i>
<i>COMPLIANCE WITH SAFETY STANDARDS.....</i>	<i>8</i>
<i>INSTRUCTIONS FOR CORRECT USE.....</i>	<i>9</i>
MACHINE SPECIFICATIONS.....	9
INSTRUCTIONS FOR USE.....	9
<i>INCORRECT USE</i>	<i>9</i>
DECLARATION OF CONFORMITY.....	10
STARTING THE MACHINE	11
ADJUSTING THE MACHINE.....	13
<i>ADJUSTING SANDING DISK FLOOR ANGLE.....</i>	<i>13</i>
FITTING THE SANDING DISK	13
PERIODIC MAINTENANCE.....	13
<i>BELT TENSION.....</i>	<i>133</i>
<i>SANDING CHAMBER.....</i>	<i>144</i>
<i>PLATE.....</i>	<i>144</i>
<i>WHEELS.....</i>	<i>144</i>
<i>DUST BAG.....</i>	<i>144</i>
<i>GRAPHITE BRUSHES.....</i>	<i>144</i>
<i>LUBRIFICATION.....</i>	<i>144</i>
REPLACEMENT PARTS	14
TROUBLESHOOTING	15
<i>PROBLEM.....</i>	<i>15</i>
<i>CAUSE.....</i>	<i>15</i>
<i>REMEDY.....</i>	<i>15</i>

LISTED SYMBOLS

	READ THE ISTRUCTION IN HAND BOOK BEFORE USING MACHINERY
	NOISE HAZARD
	BREATHING HAZARD
	ELECTRICAL HAZARD
	DANGER MOVING PARTS

DANGER:	means	Serious injury or death may result if users or others fail to observe the DANGER signs on the machine or in this handbook. Read and respect all DANGER signs on the machine or in the handbook.
WARNING:	means	Injury may result if user or other fail to observe the WARNINGS on the machine or in this handbook. Read and respect all WARNINGS on the machine or in the handbook.
CAUTION:	means	Damage may result if users or others fail to observe the caution signs on the machine. Read an respect all caution signs on the machine.

DANGER:
Failure to read the SDT 180 machine handbook prior to first time use, adjustment or maintenance of the machine may result in damage to the machine and/or personal injury. The user must be familiar with the machine before using it..

STORAGE

We recommend storing the machine without removing it from its original packaging to allow up to a maximum of three packages to be stacked one on top of the other. Store the machine in a dry place. Storage in damp conditions will cause damage to the machine.

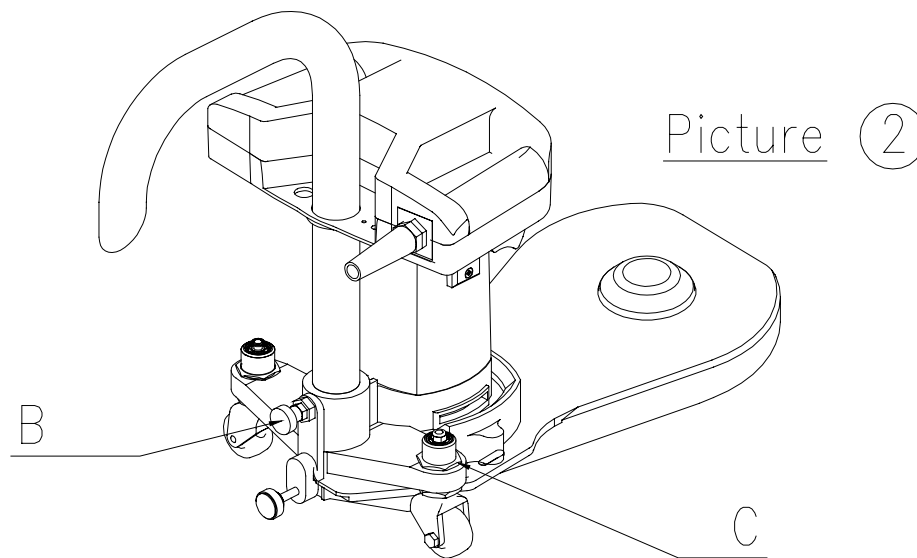
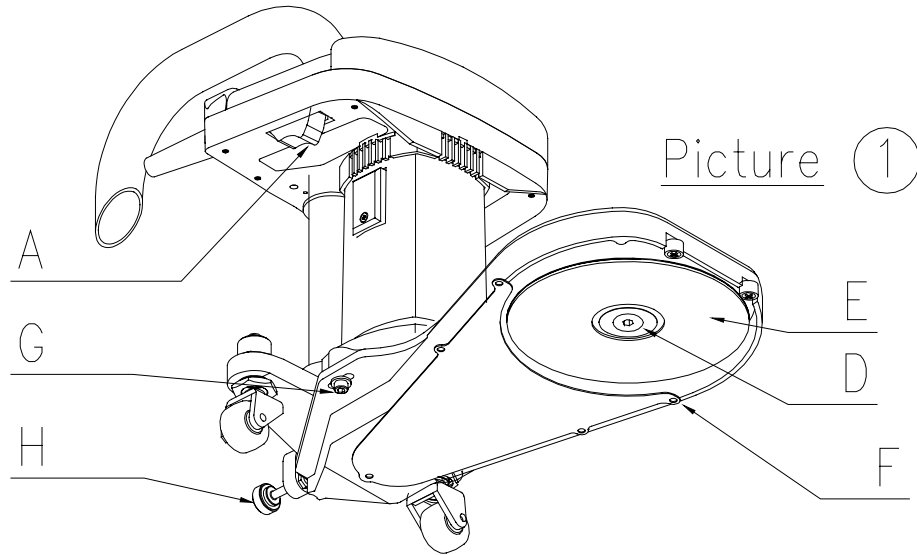
Storage temperature -20° to 50° .

If the machine is removed from its original packaging and is not used for long periods the wheels and disk must be raised from the ground. Set the machine on two blocks at least 20 Cm high, making sure the base is supported by them.

Store the machine in a dry, safe place, out of the reach of children.

TRANSPORTING AND HANDLING THE MACHINE

1. Check that the main lead is disconnected from the main supply.
2. Always transport the sander using the two handles. Protect the sanding disk with an abrasive pad and make sure the abrasive disk screw is well tightened. During transport by vehicle, always check that the sander is well secured and cannot move. Take care when transporting the machine.
3. To transport the machine in its original packaging:
Pull knob (B) and turn the suction pipe 180° to its working position. Put the machine in its original packaging and transport it using the suction pipe as a handle.



BEFORE STARTING

ELECTRICAL CONNECTION

- CAUTION:** The machine is designed to operate exclusively at the voltage and frequency indicated on the machine information plate. Check that the power supply corresponds to these values before connecting the main lead.
- WARNING:** Do not expose the machine to rain. Keep the machine in a dry building and do not use it in damp or wet places.
- WARNING:** Do not try to insert a two-pin plug into a socket or connector which does not have two holes. If the plug does not fit the socket, consult an authorized electrician.
- WARNING:** Do not use the tool if the switch does not open or close.
- DANGER:** Incorrect connection to the main supply constitutes a risk of electric shock. For maximum shock protection use a main supply fitted with a differential cut-out switch.
- DANGER:** Using the machine with a damaged plug or main lead constitutes a risk of electric shock. If leads or plugs are worn out or damaged in any way, have them replaced by the manufacturer, a **K&T** authorized dealer or qualified personnel to minimise risk.

MAIN LEADS, EXTENSIONS AND PLUGS

Maximum recommended main lead length 7 m. For lengths over 7 m use heavier cable section.

- DANGER:** Using main leads with inadequate section and/or of excessive length may result in damage and/or personal injury
- WARNING:** Do not carry the machine by the cable and do not draw it to disconnect from the socket.
- WARNING:** Keep the cable far from the heat source, oil and sharp corners.

SINGLE PHASE MOTOR MACHINE 230-240 V ~ 50Hz

Only use approved two conductors cables.

For Europe the main lead must be approved type: H05 VV-2x1.5 mm² and the plug must be approved type: SHUKO 2P 16A 200-250V

For more explain contact a K&T authorised dealer.

INSTRUCTIONS FOR REMOVING THE SAWDUST PRODUCED DURING WORK

DANGER: Sawdust is inflammable and may ignite spontaneously causing injury or damage. Sawdust must be correctly disposed of. Always empty sawdust into metal contained situated in the open air.

DANGER: Sawdust is inflammable and may ignite spontaneously causing injury or damage. Empty the dust bag when it is 1/3 full. Empty the dust bag every time you finish using the machine. Do not abandon dust bags full of sawdust. Do not empty the contents of the dust bag over a fire.

USER SAFETY RECCOMENDATIONS

PERSONAL SAFETY

WARNING: Sawdust may leak into the air and be breathed in when using the machine. Always wear a dust filter face mask when using the sander.

WARNING: Failure to wear eye protection and protective clothing may result in injury while sanding. Always wear safety goggles, protective clothing and face mask when using the machine.

WARNING: Long exposure to the high noise level produced by the machine in operation may cause ear damage. Always wear ear plugs when using the sander.

CAUTION: During sanding operation pay attention, always check what you are doing, use common sense. Do not use the machine when you are tired.

COPLIANCE WITH SAFETY STANDARDS

- DANGER:** Using the machinery if not fully assembled may result in damage and/or personal injury. Do not use the machine if incompletely assembled. Keep all guards closed. Maintain machine adjustment as specified.
- DANGER:** Damage or injury may result if the sander is used without guards and covers in place. Always check that all guards and covers are placed and well fastened.
- DANGER:** Sanding wooden floors may generate an explosive environment. Cigarettes, cigars, lighters, pilot lights and any other naked light may trigger an explosion if used when sanding. Do not use naked lights in the working area.
- DANGER:** Electric shock may result if the power supply cuts out repeatedly due to overload. Have fuses, overload cut-out and mains circuit checked by an authorized electrician.
- DANGER:** Poorly ventilated working areas may generate an explosive environment in the presence of volatile materials such as solvent, alcohol, fuel, certain paints, sawdust and other flammable materials. Floor sanding machines can ignite flammable materials and fumes. Read the instructions on any chemical products used to determine their flammability. Keep the working area well ventilated.
- DANGER:** Contact with nails sanding may generate sparks and cause fire. Always flatten or remove all nails before sanding the floor.
- DANGER:** Electric shock may result if maintenance and/or repairs are carried out on the machine while it is connected to the main supply. Disconnect the mains before carrying out any form of maintenance and/or repairs.
- DANGER:** Using the machine with a damaged main lead may result in electric shock. Do not use the machine if the main lead is damaged. Do not pull the machine by the main lead.
- DANGER:** During sander operation, keep children far away, prevent the visitors from touching the machine or the extension. The visitors must be kept far away from the working area.
- DANGER:** Injury or death by electric shock may result if the sander passes over the main lead or damages it. Keep the main lead away from the lower part of the machine to avoid contact with the abrasive. Always keep the main lead above the machine.
- WARNING:** Moving parts may cause damage and/or serious injury. Keep hands, feet and loose clothing away from all moving parts of the sander.
- WARNING:** Carrying out maintenance may result in injury to the user and any others present if the machine is connected to the main supply.
- WARNING:** Failure to follow all the instructions contained in this handbook may result in serious injury and/or damage. Read and observe all safety instructions. Check that all information plates, warning and caution labels and instructions are present on the machine. For new plates contact your authorized K&T dealer.
- CAUTION:** Maintenance and repairs carried out by unauthorized persons may result in damage and/or personal injury.
- CAUTION:** Storing the machine in a damp environment will result in damage. Store the machine in a dry place.

INSTRUCTIONS FOR CORRECT USE

The appliance is suitable for commercial use, for example in hotels, schools, hospitals, offices, factories and shops.

The information that allows highlights potentially hazardous conditions for the user and/or the machine itself. Read the handbook carefully to get to know the machine and recognise when such conditions may arise. Use all safety system provided on the machine. Immediately report any damage to the machine or maloperation.

1. Keep hands and clothing away from moving parts.
2. Keep hands on the handle while the motor is running.
3. Do not use the machine with drive belt guards open.
4. Always use the machine with the dust bag correctly fitted.
5. Do not remove the dust bag with the motor running.
6. Always disconnected the machine from the mains before carrying out maintenance.
7. Use caution during transport.
8. Only use the machine in well-ventilated areas.
9. Always use the dust bag as instructed
10. Always work in good lighting conditions. Do not use electrical appliance where there is a fire or explosion hazard.
11. Using accessories or attachments other than those indicated in the handbook may result in personal injury.

MACHINE SPECIFICATIONS

SANDING DISK SIZE	Ø 180 mm
DISK DIAMETER	Ø 180 mm
DISK SPEED	3000 rpm
MOTOR SPEED	14000 rpm
MOTOR	230-240V ~ 50 Hz 1150 W
DISK ANGLE ADJUSTMENT	SCREW ON WHEEL SUPPORTS
BEARINGS	PERMANENT LUBE RADIAL BALL
MACHINE DIMENSIONS	445 x 232 x 397 mm without dust bag
NET WEIGHT	8,6 kg
NOISE (continuous weighted A sound pressure measured at 0.4 m from grip and 1.5 m from floor level)	85 dB(A)
VIBRATION (weighted value of root mean square acceleration)	$\leq 1,85 \text{ m/s}^2$
PACKAGE DIMENSION	660 x 300 x 440 mm
GROSS WEIGHT	12 kg
STANDARD EQUIPMENT	Dust bag, mains lead with plug, spanner, use and maintenance handbook.

INSTRUCTION FOR USE

INCORRECT USE

CAUTION: Using the machine to push other objects or on an incline may result in damage and/or personal injury. The machine must be used exclusively to sand dry wooden floors that are flat. Do not use the machine to sand pieces of furniture, walls and ceilings.

CAUTION: Allowing the machine to remain stationary in one point with the disk running will result in serious damage to the floor being sanded. To prevent damage to the floor always approach the stopping point gently. Do not pause when raising or lowering the disk, but always advance at a constant speed.

DECLARATION OF CONFORMITY

EC DECLARATION OF CONFORMITY
73/23CEE, 98/37CEE, 89/336/CEE,
92/31/CEE.

We

KUNZLE & TASIN S.P.A.
Accounting office :Via C. Freguglia 4
20122 Milano - Italy

declare under our responsibility that the product

SDT 180 EDGER

to which this declaration relates is in conformity with the following standards or other normative document(s):

- Safety of machinery - Basic concepts, general principles for design
Basic terminology, methodology EN 292 Part 1 (1991)
- Safety of machinery - Basic concepts, general principles for design
Technical principles and specification EN 292 Part 2 (1991)
- Safety of machinery - Electrical equipment of machines
- Safety of electrical tools EN 50144-2-4/2 – Edit. 1996
- Limits and methods of measurements of radio disturbance characteristics of electrical motor-operated and thermal appliances for households and similar purposes, electric tools and similar electric apparatus - EN 55014-1 (1993) + A1, A2
- Part 3: Limits. - Section 2: Limits for harmonic current emissions (equipment input current ≤ 16 A per phase) - EN 61000-3-2 (1995) + A12, A1, A2, A14
- Part 3: Limits. - Section 11: Limitation of voltage fluctuations and flicker in low-voltage supply systems for equipment with rated current ≥ 16 A. EN 61000-3-11 (2000)
- Immunity requirements for household appliances, tools and similar apparatus.
Product family standard EN 55014-2 - Edit. 1997

following the provisions of the Directives:
73/23CEE, 98/37/CEE, 89/336/CEE, CEE 92/31/CEE.

(place and date of emission)

(signature)

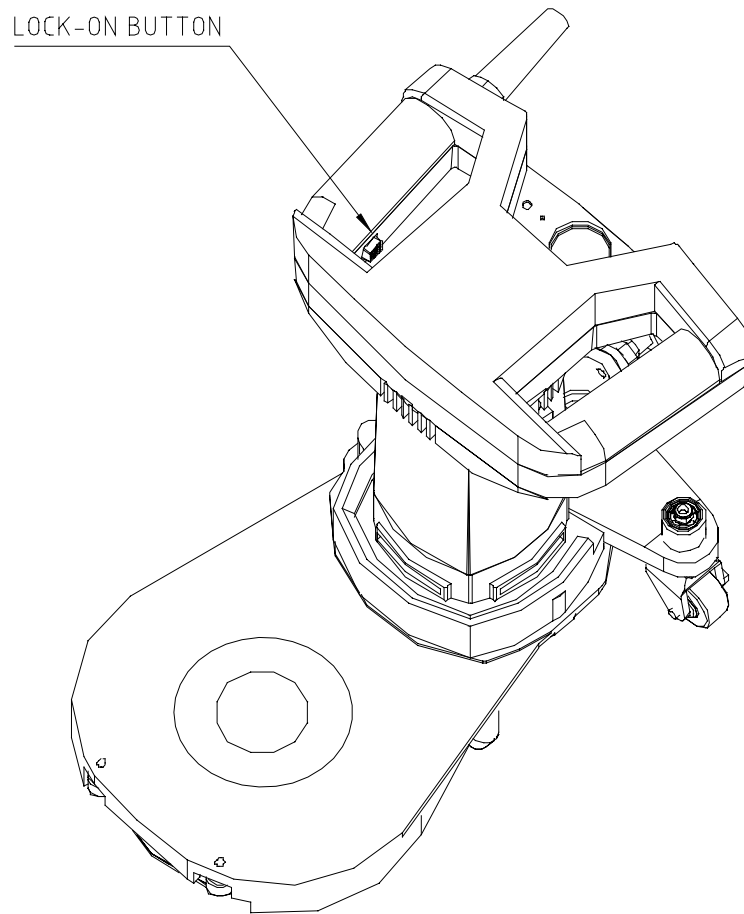
STARTING THE MACHINE

To start the machine proceed as follows:

1. Get to know the machine and read instruction regarding potential danger, warnings and precaution. Make sure that all users have read this handbook.
2. Bring the machine into the working area. If the machine is removed from its original packaging, pull knob B and turn the pipe to the position shown in **fig. 2**.
3. Fit the dust bag to the suction pipe and secure it with the wire provided.
4. Fit the sanding disk as indicated "FITTING THE ABRASIVE DISK"

WARNING: Use only 180 mm sanding disks

5. Locate the main supply. The socket must be compatible with the plug. To prevent electrical hazard the socket must be fitted with a 10A fuse. Insert the plug in the socket.
6. Raise the disk so the machine rests on the floor on its wheels.
7. Press button **A (fig.1)**.
8. Press the button on the inside of the handle (lock button) and release button A. The machine will continue to operate.
9. Bring the disk into contact with the floor and begin sanding. Keep the machine moving while the disk is in contact with the floor.
10. To stop the machine press and then release button **A**.



ADJUSTING THE MACHINE

ADJUSTING SANDING DISK-FLOOR ANGLE

In ideal conditions the sanding plate works at a slight angle to the floor.

The angle is given by the position of the wheels, which are mounted on two supports. The wheel mounting assembly can be raised or lowered into the required position by loosening hex nut C, fig.2 .

FITTING THE SANDING DISK

VELCRO PAPER

1. Make sure the main lead is disconnected from main supply and the machine.
2. Turn the machine over so the handles rest on the floor.
3. Tear the worn Velcro disk from the sanding plate.
4. Check that the Velcro plate is clean and choose a new sanding disk (**diameter 180 mm**) of the right grade.
5. Fit the new disk making sure the Velcro is well attached.

PAPER WITHOUT VELCRO

1. Make sure the main lead is disconnected from the main supply.
2. Turn the machine over so the handles rest on the floor.
3. Remove screw **D** (fig. 1) and conical washer locking plate **E**.
4. Make sure the Velcro surface of the plate is clean and choose a sanding disk (**diameter 180 mm**) of a suitable grade and with its surface intact.
5. Fasten the abrasive disk by means of screw **D** (**fig. 1**) and conical washer locking plate **E**.

PERIODIC MAINTENANCE

To keep the machine in good working order, the following items must be periodically checked and maintained:

BELT TENSION (*USERS*)

1. Remove the 3 screws fastening the belt guard to the base (**Pos. F fig. 1**) using a screwdriver.
2. Loosen the screws (**Pos. G fig. 1**, 2 screws) using the 5mm Allen Key provided.
3. Tighten the belt manually turning the knob (**Pos. H fig. 1**).
4. Tighten the screws (**Pos. G fig. 1**, 2 screws) using a 5mm Allen Key.
5. **The belt is correctly tightened when it has play of 1.2 mm with a load of 1 ± 0.1 N at centre.**
6. Replace the belt guard and tighten the 3 fastening screws (**Pos. F fig. 1**).

CAUTION: Excessive belt tension will result in premature bearing wearing.

DANGER: Using the machine when it is not completely assembled may result in damage and/or personal injury. Do not use the machine if it is not fully assembled. Keep all fasteners tight. Keep machine adjusted as specified.

SANDING CHAMBER (USERS)

Periodically remove sawdust from the chamber to prevent build-up of potentially hazardous dust.

PLATE (USERS)

Periodically check the plate surface. Remove any accumulated dirt.

WHEELS (USERS)

Periodically remove any dirt from the machine housing and wheels. Accumulated dirt may cause undulations on the surface being sanded.

DUST BAG (USERS)

Remove the dust bag and shake it vigorously to remove the collected sawdust. Turn the bag inside out and machine wash it in cold water to prevent pore blockage which decreases dust suction capacity.

GRAPHITE BRUSHES (MAINTENANCE PERSONNEL ONLY)

The motor has two graphite brushes that must be checked every six months or 400 working hours. To check the brushes proceed as follows:

1. Remove the motor cover screws with a screwdriver.
2. Remove the cable terminal clamp and extract the brushes complete with the spring.
3. Check the brushes. If one of the brushes is 7 mm shorter replace both brushes.

WARNING: Check new brushes are correctly installed before replacing the cover.

LUBRIFICATION (MAINTENANCE PERSONNEL ONLY)

The machine does not required lubrication. All moving parts, including motor components, are fitted with sealed bearings with lubrication for approx.10.000 working hours.

REPLACEMENT PARTS

Always use original **K&T** replacement parts. The guarantee and all consequent liability will be forfeited non-original **K&T** parts are used or repairs are carried out by unauthorised persons.

Repairs must be carried out by qualified personnel. This electrical appliance conforms to all pertinent safety standards. Original **K&T** parts must be used for any repairs, otherwise the user may encounter serious problems.



TROUBLESHOOTING (*USERS*)

PROBLEM	CAUSE	REMEDY
Insufficient sanding depth	Abrasive worn or unsuitable.	Replace abrasive disk.
Motor speed too low	Insufficient voltage due to: Excessive length or unsuitable section of power cables Poor connections Motor defective	Use cable of adequate length and section Use suitable plugs and sockets Contact an authorised K&T dealer
Working surface scored	Defective abrasive Plate surface soiled or defective Incorrect wheel adjustment	Replace abrasive Clean plate surface or replace plate Adjust. wheels (see" adjustment wheel")
Insufficient dust suction	Dust bag over 1/3 full Dust bag soiled or with closet pores Blocked suction and/or delivery pipe	Empty bag Shake out dust and wash bag Clean air pipes
Motor does not start	Defective switch Insufficient voltage due to poor connection Motor defective No power	Contact an authorised K&T dealer Contact an authorised K&T dealer Contact an authorised K&T dealer Check power supply and connection
Working surface scorched	Abrasive worn Abrasive too fine	Replace abrasive User coarser abrasive